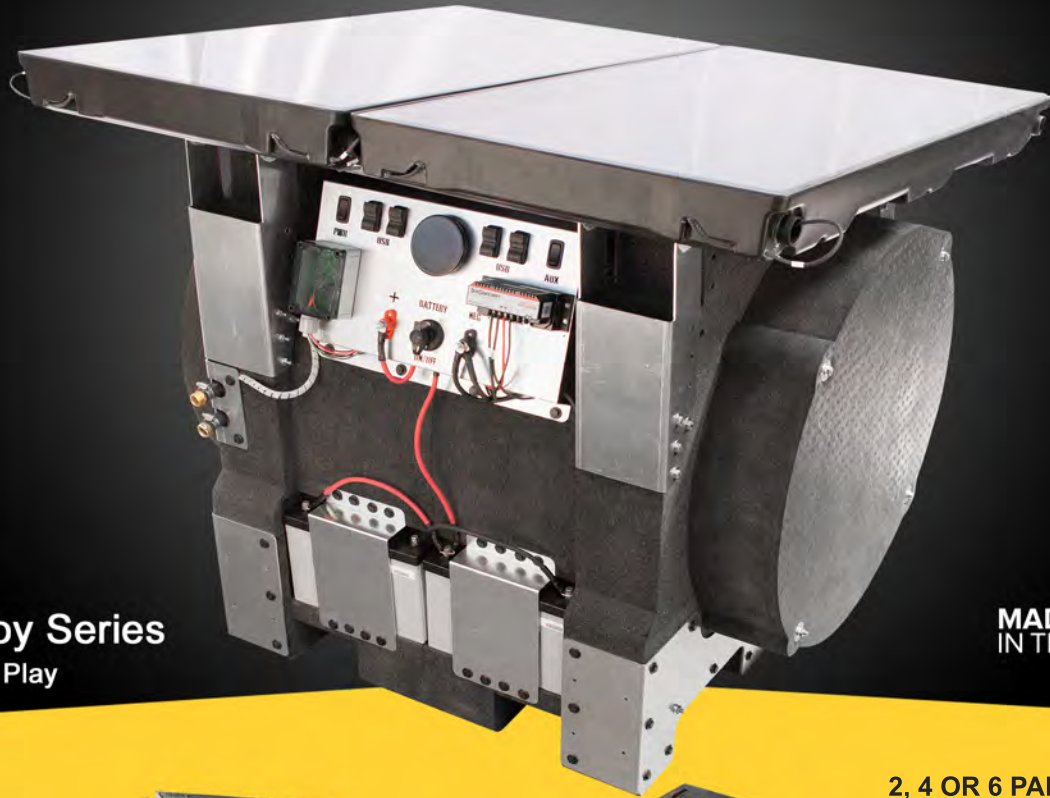


# POWERPANEL™



**Rapid Deploy Series**  
Portable • Plug & Play

**MADE IN THE USA**



2, 4 OR 6 PANEL SYSTEMS

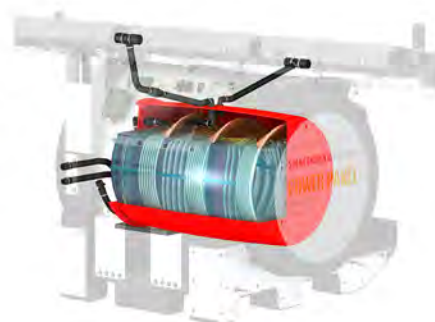
## GEN2O™

Swift to deploy, this compact device sets up in less than an hour, making it a frontline choice for emergency response teams and military support. With so many parts of our world still lacking in hot water and basic electricity, the Gen-2-O is an ideal candidate for supporting aid in developing nations.

### Portable Solar Generator with Electrical and Thermal Storage

**GLOBAL APPLICATIONS**  
From Alaska to Africa

- Military Field Support
- Rural Communities
- Disaster Relief
- Off-The-Grid
- Construction Sites
- And Many More...



HOT WATER THERMAL CONVERTER

### System Controller

Micro-Processor Based Controls automatically operate the system for most efficient energy harvest with web-based system monitoring.



## BENEFITS

Certified to UL, SRCC and FSEC PV and Thermal standards.

- No Fuel costs
- High reliability
- Low maintenance
- No emission
- Low operating cost
- Large 200 Liter thermal storage system
- DC charge controller with battery storage
- Ease of deployment and efficient use of space
- Collector angle adjustment for latitude
- Ships on a 48" x 60" plastic pallet

## SYSTEM FEATURES

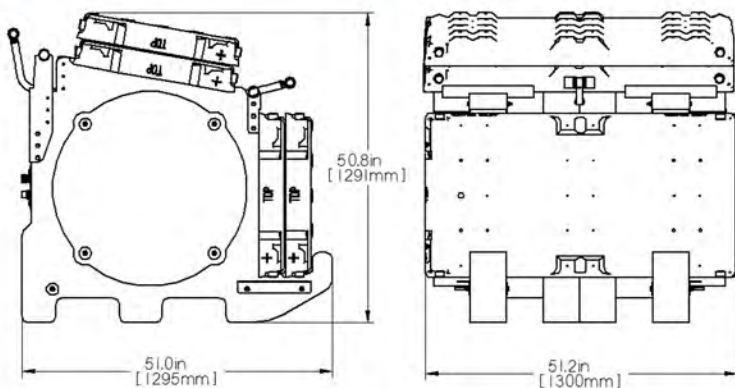
Dual/Quad

### PV Electrical

230/500 Watt Peak PV Generation  
 12 Volt DC Solar Charge Controller  
 1kWh Integrated Battery Storage  
 Performance Warranty

### Solar Thermal

1,270/2,540 Watts Peak Thermal Generation  
 Thermal Harvest Controller  
 Water temp range: 50 °C to 70 °C peak temp  
 200 Liter (52 Gallon) Storage Capacity  
 Integral Passive Loop Coil Heat Exchanger



Shipping Weight (Dual): 165 LBS (75 KG) Load Distribution: 0.43 LBS/IN<sup>2</sup> ( 2926 N/m<sup>2</sup>)